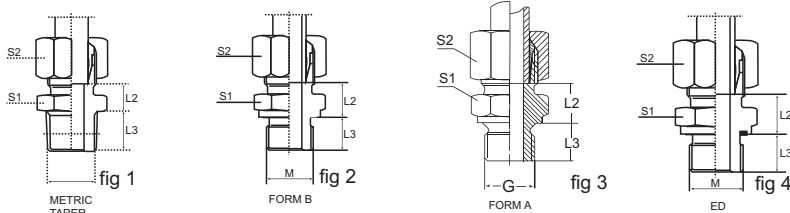


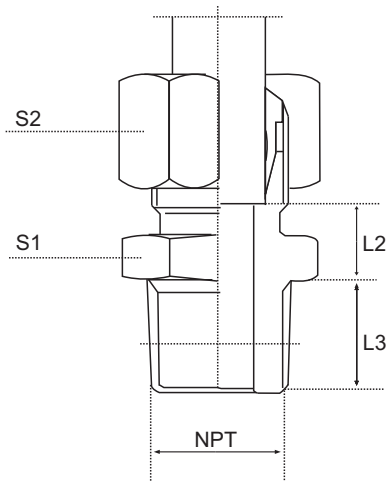
GE MALE STUDS METRIC

ITEMS	DESCRIPTION	PIPE OD	FIG.	L2	L3	S1	S2	R/M
510452	GE04LLM06X1.0	M04	1	6.50	8	10	10	08X1.0
510456	GE04LLM08X1.0	M04	1	6.50	8	10	10	08X1.0
510460	GE04LLM10X1.0	M04	1	6.50	8	10	10	10X1.0
510652	GE06LLM06X1.0	M06	1	6.50	8	11	12	06X1.0
510656	GE06LLM08X1.0	M06	1	6.50	8	11	12	08X1.0
510660	GE06LLM10X1.0	M06	1	6.50	8	11	12	10X1.00
610660	GE06LM10X1.0	M06	2	8.50	8	14	14	10X1.0
610667	GE06LM12X1.5	M06	2	10.0	12	17	14	12X1.5
610671	GE06LM14X1.5	M06	2	10.0	12	19	14	14X1.5
610675	GE06LM16X1.5	M06	3	10.0	12	22	14	16X1.5
610682	GE06LM22X1.5	M06	3	10.0	12	27	14	22X1.5
510860	GE08LLM10X1.0	M08	1	8.50	8	12	14	10X1.0
610867	GE08LM12X1.5	M08	2	10.0	12	17	17	12X1.5
610871	GE08LM14X1.5	M08	2	10.0	12	19	17	14X1.5
610875	GE08LM16X1.5	M08	3	10.0	12	22	17	16X1.5
610882	GE08LM22X1.5	M08	3	10.0	12	27	17	22X1.5
611067	GE10LM12X1.5	M10	2	10.0	12	17	19	12X1.5
611071	GE10LM14X1.5	M10	2	11.0	12	19	19	14X1.5
611072	GE10LMED	M10	4	11.0	12	19	19	14X1.5
611075	GE10LM16X1.5	M10	3	10.0	12	22	19	16X1.5
611082	GE10LM22X1.5	M10	3	10.0	12	27	19	22X1.5
611267	GE12LM12X1.5	M12	2	11.0	12	19	22	12X1.5
611271	GE12LM14X1.5	M12	2	12.5	12	19	22	14X1.5
611275	GE12LM16X1.5	M12	2	12.5	12	22	22	16X1.5
611276	GE12LMED	M12	4	12.5	12	22	22	16X1.5
611278	GE12LM18X1.5	M12	2	12.5	12	24	22	18X1.5
611282	GE12LM22X1.5	M12	3	10.0	12	27	22	22X1.5
611571	GE15LM14X1.5	M15	2	13.0	12	24	27	14X1.5
611575	GE15LM16X1.5	M15	2	13.0	12	24	27	16X1.5
611578	GE15LM18X1.5	M15	2	13.5	12	24	27	18X1.5
611582	GE15LM22X1.5	M15	3	10.0	12	27	27	22X1.5
611589	GE15LM26X1.5	M15	2	15.0	16	24	27	26X1.5
611683	GE16SMED	M16	4	18.5	14	27	30	22X1.5
611878	GE18LM18X1.5	M18	2	13.0	12	27	32	18X1.5
611882	GE18LM22X1.5	M18	2	14.5	14	27	32	22X1.5
611883	GE18LMED	M18	4	14.5	14	27	32	22X1.5
612282	GE22LM22X1.5	M22	2	16.5	14	32	36	22X1.5
612289	GE22LM26X1.5	M22	2	16.5	16	32	36	26X1.5



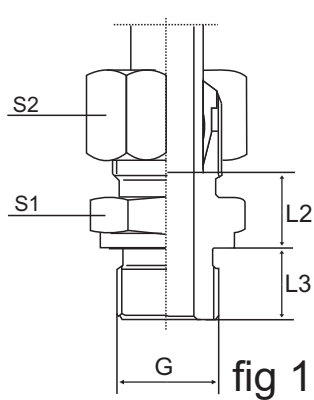
GE MALE STUDS NPT

ITEMS	DESCRIPTION	PIPE OD	L2	L3	S1	S2	NPT
510418	GE04LL1/8NPT	M04	6.5	10.0	11	10	1/8
510618	GE06LL1/8NPT	M06	6.5	10.0	11	12	1/8
610618	GE06L1/8NPT	M06	7.0	10.0	12	14	1/8
610614	GE06L1/4NPT	M06	8.0	15.0	14	14	1/4
510818	GE08LL1/8NPT	M08	8.5	10.0	12	14	1/8
610818	GE08L1/8 NPT	M08	8.0	10.0	17	17	1/8
610814	GE08L1/4NPT	M08	8.0	15.0	17	17	1/4
610838	GE08L3/8NPT	M08	9.0	15.0	19	17	3/8
611014	GE10L1/4NPT	M10	9.0	15.0	17	19	1/4
611038	GE10L3/8NPT	M10	10.0	15.0	19	19	3/8
611039	GE10S3/8NPT	M10	12.5	15.0	19	22	3/8
611012	GE10L1/2NPT	M10	10.5	19.5	22	19	1/2
611214	GE12L1/4NPT	M12	10.0	15.0	19	22	1/4
611238	GE12L3/8NPT	M12	10.0	15.0	19	22	3/8
611239	GE12S3/8NPT	M12	14.5	15.0	22	24	3/8
611212	GE12L1/2NPT	M12	10.5	19.5	22	22	1/2
611213	GE12S1/2NPT	M12	15.0	19.5	22	24	1/2
611412	GE14S1/2NPT	M14	16.5	19.5	24	27	1/2
611538	GE15L3/8NPT	M15	11.0	15.0	24	27	3/8
611512	GE15L1/2NPT	M15	11.5	19.5	24	27	1/2
611612	GE16S1/2NPT	M16	15.0	19.5	27	30	1/2
611812	GE18L1/2NPT	M18	11.5	19.5	27	32	1/2
612034	GE20S3/4NPT	M20	17.0	20.0	32	36	3/4
612234	GE22L3/4NPT	M22	13.5	20.0	32	36	3/4
612510	GE25S1"NPT	M25	20.0	25.0	41	46	1"
612810	GE28L1"NPT	M28	14.5	25.0	41	41	1"

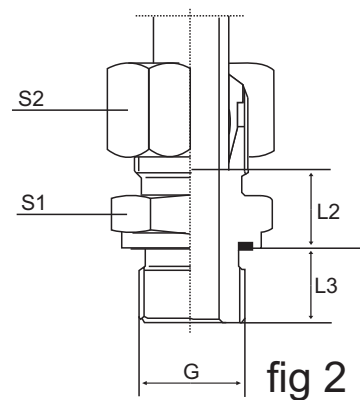


GE MALE STUDS BSP

ITEMS	DESCRIPTION	PIPE OD	FIG.	L2	L3	S1	S2	G
640610	GE06LR1/8	M06	1	9.0	9	14	14	1/8
640613	GE06LR1/4	M06	1	10.0	12	19	14	1/4
640810	GE08LR1/8	M08	1	9.5	8	14	17	1/8
640813	GE08LR1/4	M08	1	10.0	12	19	17	1/4
640817	GE08LR3/8	M08	1	11.5	12	22	17	3/8
641013	GE10LR1/4	M10	1	11.0	12	19	19	1/4
641017	GE10LR3/8	M10	1	12.5	12	22	19	3/8
641021	GE10LR1/2	M10	1	13.0	14	27	19	1/2
641213	GE12LR1/4	M12	1	11.0	12	19	22	1/4
641217	GE12LR3/8	M12	1	12.5	12	22	22	3/8
641221	GE12LR1/2	M12	1	13.0	14	27	22	1/2
641222	GE12LRED	M12	2	13.0	14	27	22	1/2
641421	GE14SR1/2	M14	1	17.0	14	27	27	1/2
641517	GE15LR3/8	M15	1	12.0	12	24	27	3/8
641521	GE15LR1/2	M15	1	13.0	14	27	27	1/2
641522	GE15LRED	M15	2	13.0	14	27	27	1/2
641527	GE15LR3/4	M15	1	15.0	16	32	27	3/4
641621	GE16SR1/2	M16	1	16.5	14	27	30	1/2
641821	GE18LR1/2	M18	1	14.0	14	27	32	1/2
641822	GE18LRED	M18	2	14.0	14	27	32	1/2
641827	GE18LR3/4	M18	1	14.5	16	32	32	3/4
642021	GE20SR1/2	M20	1	20.5	14	32	36	1/2
642027	GE20SR3/4	M20	1	20.5	16	32	36	3/4
642227	GE22LR3/4	M22	1	15.0	15	32	36	3/4
642233	GE22LR1"	M22	1	17.5	18	41	36	1"
642533	GE25SR1"	M25	1	23.0	18	41	46	1"
642833	GE28LR1"	M28	1	16.0	18	41	41	1"



FORM B



ED